

April 5, 1958 (letter 05)

Dear Henri:

We are still having rain and Eisenhower has released Federal Aid for the State as a disaster area. More houses are slipping. Knock on wood, ours is still in tact. A new storm is expected today and will spoil Easter. The store is feeling it too, as I remember, last year, we had a good Saturday before Easter. Today, the store is empty most of the time.

The samples of the plastic puzzle toys and metal puzzles came today. We notice that you ordered 120 dozen. Will the directions be in Japanese?

Heard the bad news about Tak. Victor says Tal is still in jail and unless someone puts up the bail, he will be there for awhile.

I am enclosing the inventory (stock), and total sales to ~~XX~~ April 1st. I put the prices just in case you forgot and also the shipments we received this week and expect within the next couple of weeks.

Please note the things we are out of. In the lighters, we are way over-sold on #4 black, especially. Also #4 white, #2 black and white. Also please note how low we are on natural and rust DLN Linen napkins.

Today we got \$1097.08 in checks. Thank goodness. It was mainly due to \$500 from Nut Tree.

Sending you item by item sales of first quarter. On lighters, I have given you the total through March 31st as well as the March total because I thought you might be interested in how the reorders are coming in. As you see, CLT #1 was quite good, especially in comparison with CLT #5.

We received the new fly swatter sample last week. Are you planning to order them?

That's about all for now.

Take good care of yourself. Hope your leg is better.

martha

April 4, 1958

Messrs. S. Kamei & Co., Ltd.  
76 Yamashita-cho, Naka-ku, Yokohama  
Japan

Subject: Specifications for Ladies' and Men's Raw Silk KIMONO  
Quality of material, designs, etc., same as P/O 8 - 41, Nos. 1, 12,  
15 and N-1

1) Ladies' KIMONO

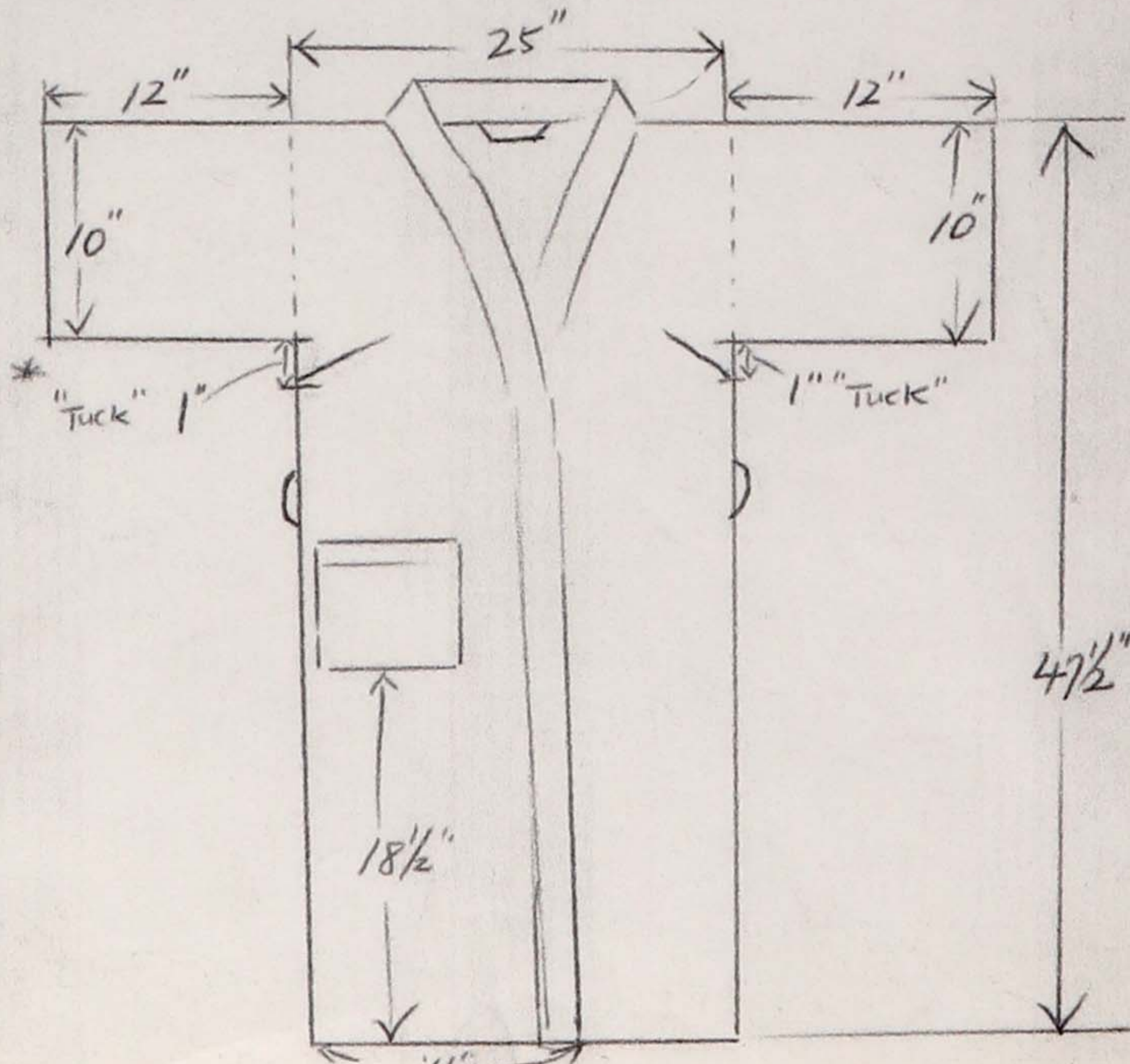
(Based on Pongee KIMONO Robe, P/O 8 - 24,  
modifications indicated with \* mark)

- \* Sewing - same as P/O 8-24, ERI, SODEGUCHI, (sodeguchi can be folded like DRS jackets. Not necessary to use separate facing piece. But if facing is used, it should not show on outside at edge of sleeve)
- "Tuck" - location 1" under underarm
- Pockets - one on right side
- Note: Stripes of the material used for the pocket must match the background material.

Belt loops - same as latest instructions on the Pongee KIMONO Robe.

Labels - Same as our latest on the Pongee KIMONO Robe

ERI width, etc., same as Pongee KIMONO Robe



## 2) Men's KIMONO

Sewing, SODEGUCHI, ERI, and other details same as the ladies' KIMONO.

Sleeve - length 13"  
width 12"

Length of garment - 56"

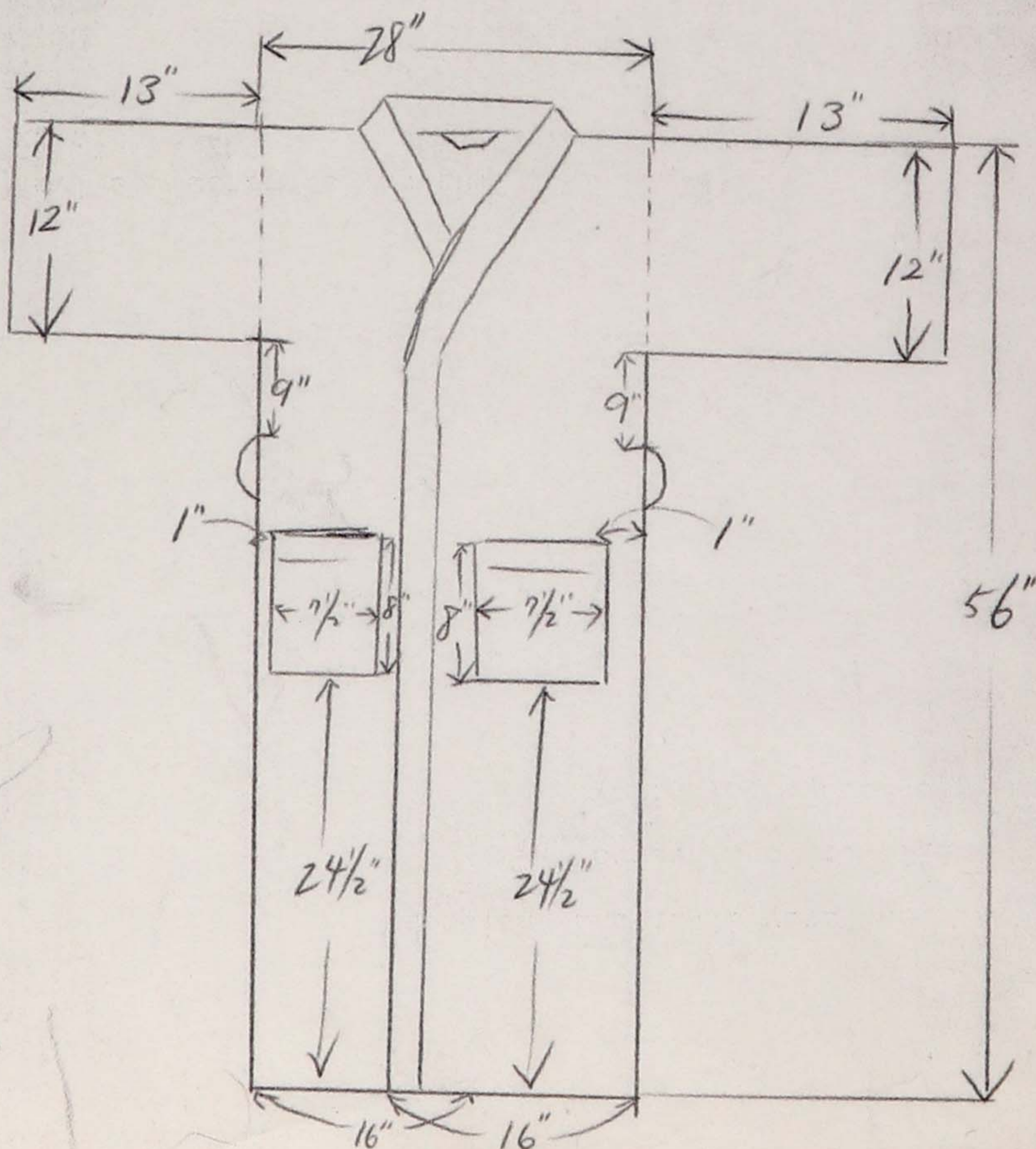
Pockets - 2, one on each side (Note: Same caution as to stripes matching background)  
location,  $24\frac{1}{2}$ " from bottom of the garment  
width -  $7\frac{1}{2}$ "  
depth - 8"

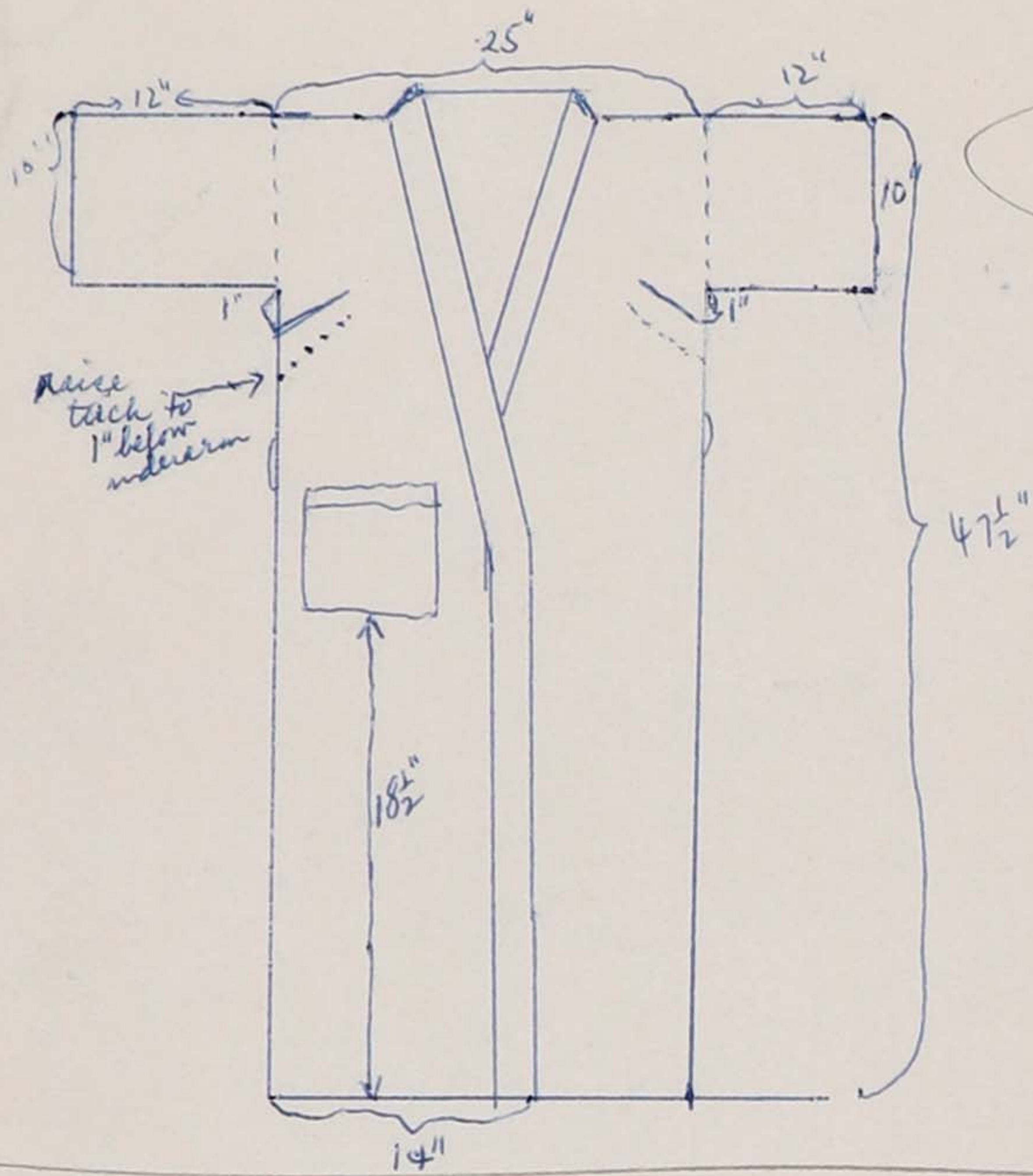
Belt loop location - 9" from underarm

Belt - length 75"

" " width 2"

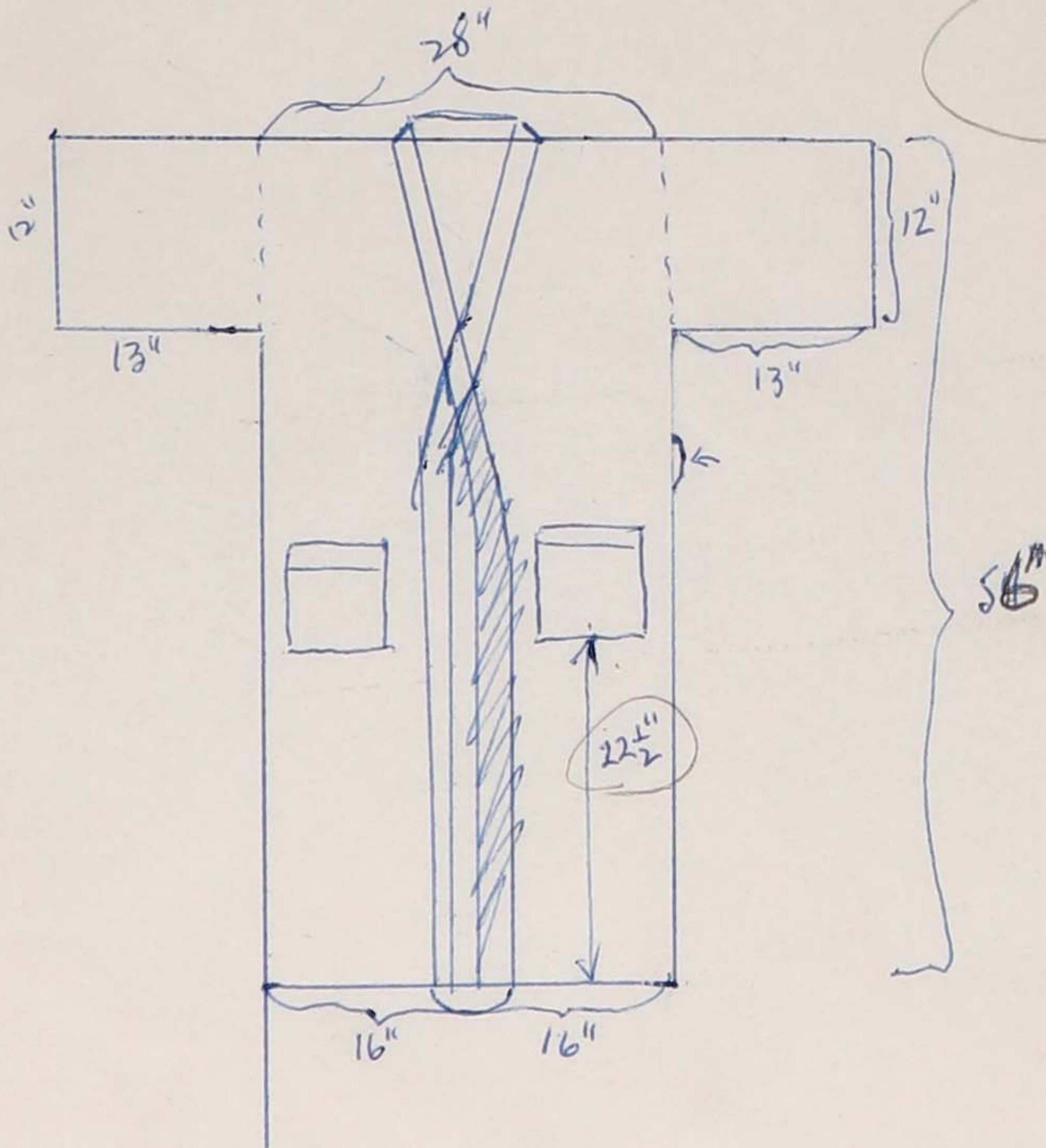
Tuck - positively none





LADIES' KIMONO

Patterns # 1, 12, 15, N7  
#



Men's

BELT

